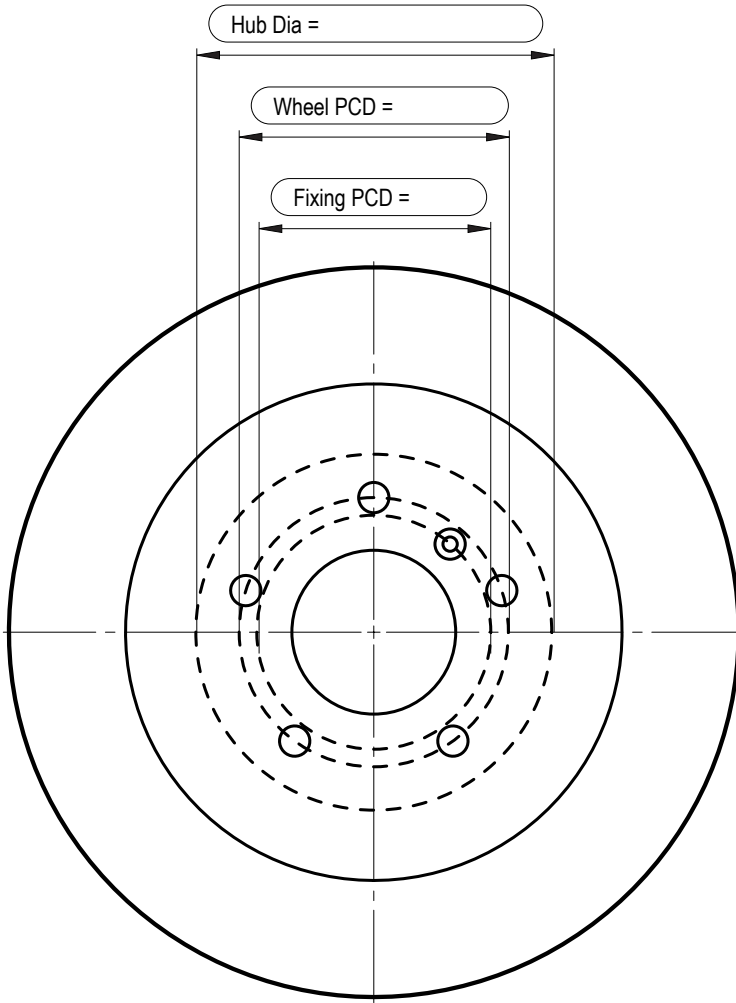


Vehicle Make \_\_\_\_\_

Vehicle Model \_\_\_\_\_

Vehicle Year / Code \_\_\_\_\_



Wheel Stud Hole Dia =

Centre Bore Dia =

Fixing Type =

Fixing Hole Dia =

Fixing Count =

## Notes

---

---

---

---

---

---

