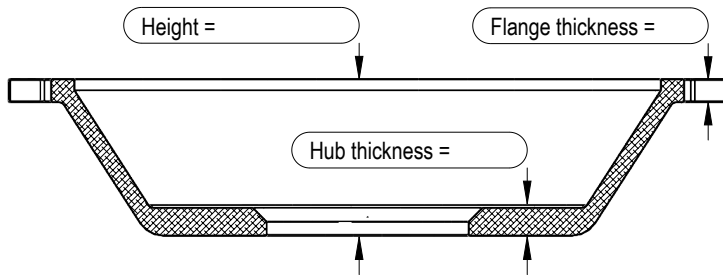
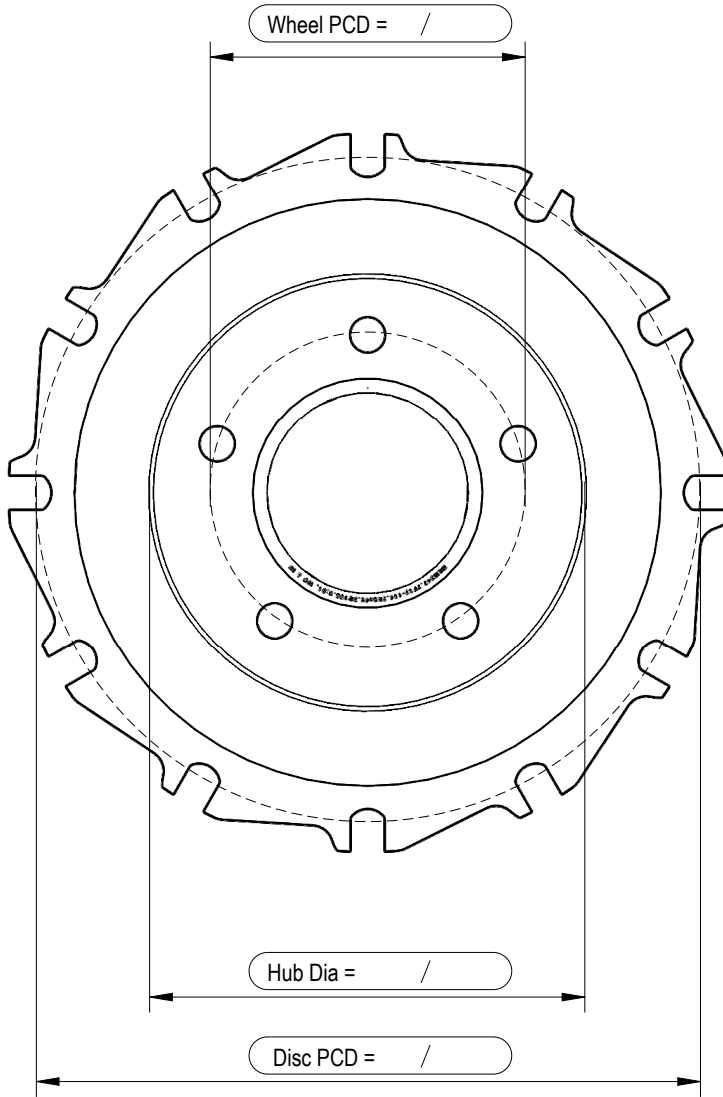


Vehicle Desc _____



Wheel Stud Hole Dia =

Centre Bore Dia =

Hub Fixing Type =

Hub Fixing Hole Dia =

Hub Fixing Count =

Disc Fixing Type = Floating or fixed

Disc Fixing Dims =

Disc Fixing Count =

Notes
